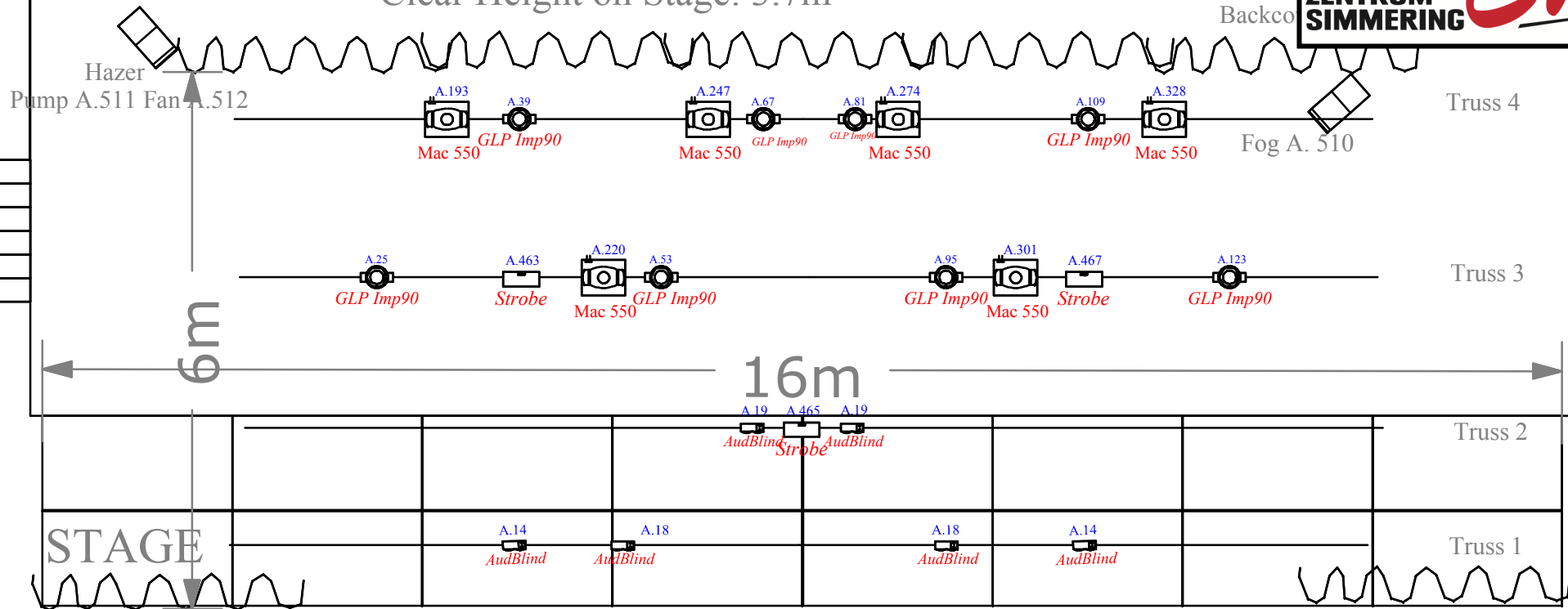


Clear Height on Stage: 3.7m



Conventionals

Patch	Type	Limit %	Patch	Type	Limit %
A-1	Empty		A-13	Wash Stage	85
A-2	Profiler 1	85	A-14	AudBlinder 1	85
A-3	Profiler 2	85	A-15	Worklight	65 !!!
A-4	Profiler 3	85	A-16	PAR 64 VNS	85
A-5	Profiler 4	85	A-17	PAR 64 VNS	85
A-6	Profiler 5	85	A-18	AudBlinder 2	85
A-7	Profiler 6	85	A-19	AudBlinder 3	85
A-8	Stagewash 1	85	A-20	PAR 64 VNS	85
A-9	Stagewash 2	85	A-21	PAR 64 VNS	85
A-10	Empty		A-22	Front Wash	85
A-11	Empty		A-23	Front Wash I	85
A-12	Wash Stage 3	85	A-24	Empty	

Ambiente Lights

Count	Type	Mode	Use	Patch
32	Mac 300 Wash	13 CH	Ambiente	B-1, B-14, ..., B-404
1	Flat LED PAR	4 CH (RGBA)	BAR-Light	B-417

Notes

There are no Colors for the Conventionals available.

Please contact the local Lighting Technician before using any Hazer or Fog-Machine

Please Note that the Ambiente Lights should run after Doors, in Show-Breaks and after the Show.

Lighting Set - SimmCity/Vienna

Count	Type	Mode	Position
10	Martin Mac550	27 CH	Stage, Fronttruss
12	GLP Impression 90	14 CH	Stage, Fronttruss
3	ADJ Strobe 1500	2 CH Speed/ Dim	Stage
12	PAR 64		Stage
4	Audience Blinder		Stage
8	Fresnel		Stage, Fronttruss
6	Profiler		Front
1	Haze	2 CH P+F	Stage
32	Mac 300 Wash	13 CH	Ambiente

Fronttruss

